

Bright

Instruments

OTF6000 CRYOSTAT
SPECIFICATION



INTRODUCTION

Based on the long-established and reliable OTF cryostat range, the new OTF6000 brings Bright cryostats completely up to date. New styling with improved user ergonomics, the latest blade systems in the powerful 5050 microtome, which includes option of solid blade or feather blade holder.

They are suitable for an endless range of applications and in the correct configuration are capable of cutting a wide diversity of specimens from undecalcified bone to brain, resins, plastics and plant tissue as well as more usual soft tissue. Allowing full anti-roll plate adjustment for perfect results coupled with long lasting temperature stability, the OTF6000 can truly be described as complete.

FEATURES AND BENEFITS

New streamline top for added operator comfort and usability.

- Suitable for research and clinical operation.
- Switch easy between solid knives or disposable blades using our new interchangeable knife block.
- Automatic evaporator defrost supplied as standard.
- Touch screen controls.
- Long list of options and accessories.
- Contains the new 5050 rotary microtome.
- RFID secure access locking window as standard.
- Built in UV decontamination as standard.
- Built in foot rest.
- Waste collection bottle.
- Heated anti-fog window.
- Downloadable user log data.

THE MICROTOME

The new 5050 interchangeable knife block now allows the user to quickly and easily change between the solid knifeblock that accepts many different types of knives including tungsten carbide tipped knives and the QRFBH that accepts Feather™ disposable blades.

The 5050 is available with or without specimen orientation and orientation and can cut sections between 1µm and 60µm thick.

The 5050 is complimented by the Easi-Set anti-roll plate which enables the easiest of all setting up procedures and cutting preparation times are kept to an absolute minimum.

OTF6000 CRYOSTAT

A wide range of accessories increase versatility and widen the scope and ease of use of the microtome. Motorised drive is available which, whilst still permitting manual control, facilitates extra slow cutting for added power free from vibration, and allows ultra-repeatability of sections. Motorised advance/rewind is as standard; this function has two speeds for accurate and rapid alignment of the specimen to the knife.

TOUCHSCREEN

The new full-colour touchscreen display for the OTF6000 is the central point of control for the unit.

Once signed into their account, the user has access to all the electronic controls of the unit such as;

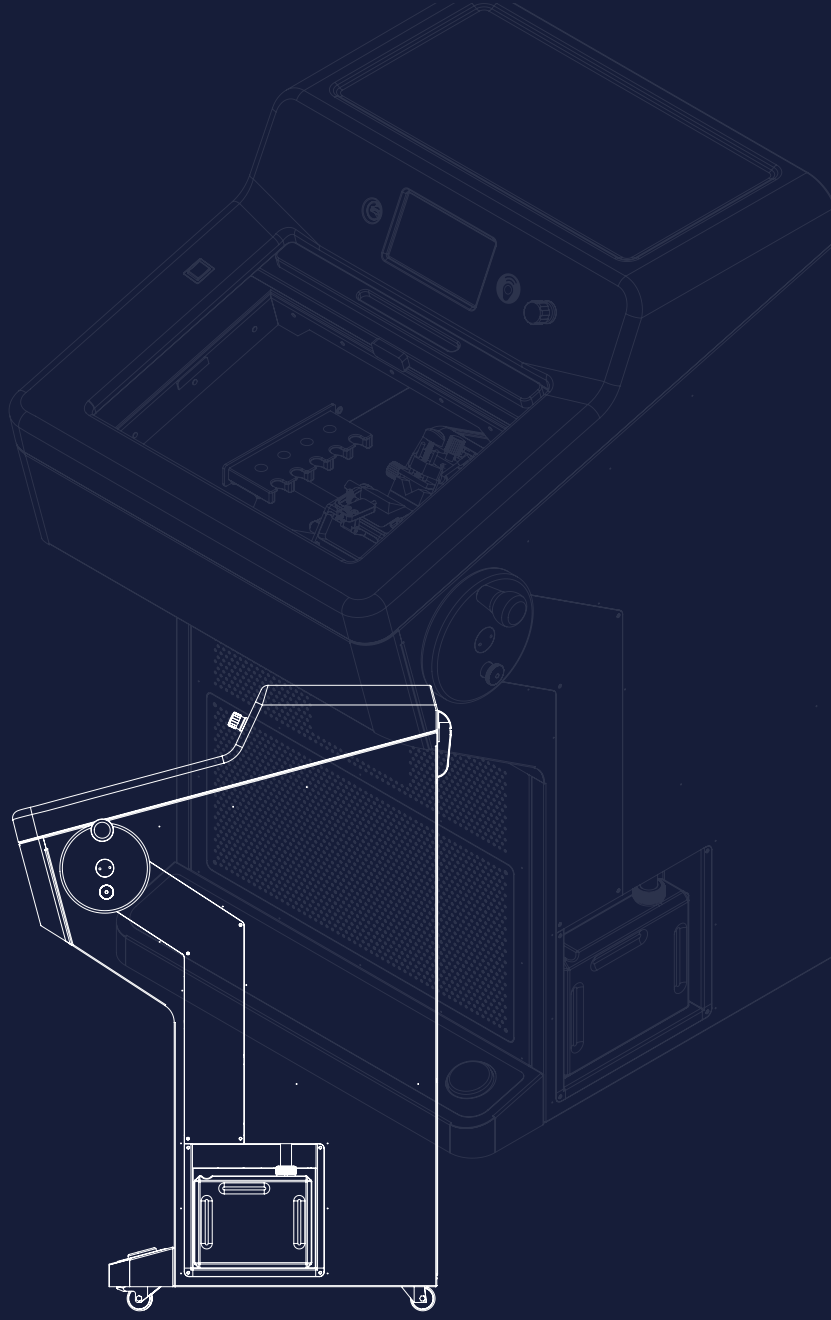
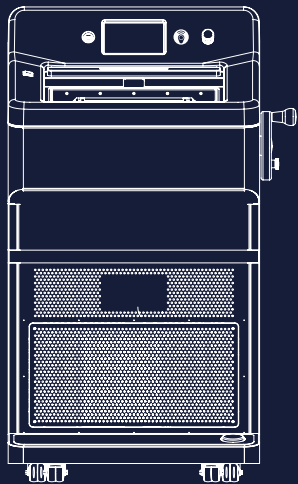
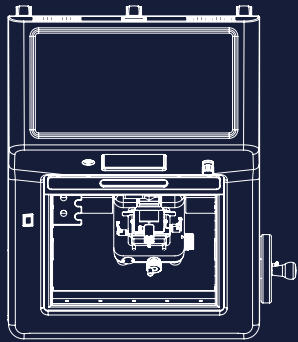
- The adjustment of temperature settings (Chamber & Specimen)
- The chamber light
- Manage and schedule the defrost cycles
- Decontamination controls
- Motordrive controls
- Administrative controls and settings (Administrator accounts only)
- Access a recent "event log"



Bright

Instruments

OTF6000 CRYOSTAT



CRYOSTAT SPECIFICATION

Feature	Low Spec	Hi Spec
Powder Coated Welded Steel Chassis	Yes	Yes
Colour Touchscreen Display	Yes	Yes
Physical Specimen Advance/Rewind Switch	Yes	Yes
Manual Handwheel Drive	Yes	Yes
Motorised Handwheel Drive	No	Yes
Emergency Stop	No	Yes
Built In Footswitch	No	Yes
Refrigeration	-35 (Single Compressor)	-40 (Dual Compressor)
Quick Freeze Block	Yes	Yes
Anti Fog Window	Yes	Yes
Window Lock RFID Access	Yes	Yes
Built In Waste Collection Bottle	Yes	Yes
Heated Specimen Block	Yes	Yes
UV Decontamination	Yes	Yes
Refrigeration Alarm	Yes	Yes
Recent User Log Records	Yes	Yes

Dimensions H 1260mm x W765mm x D855mm

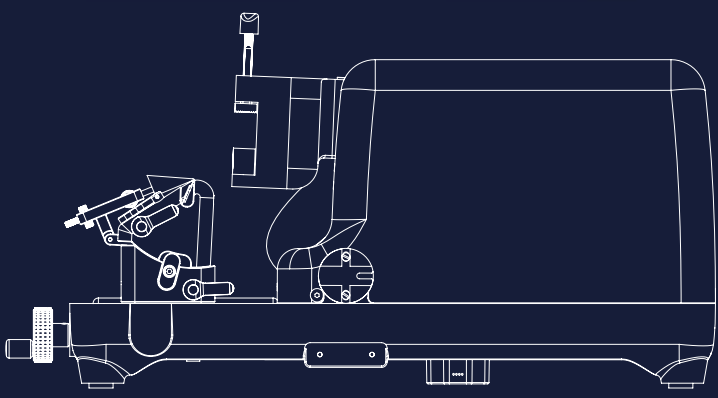
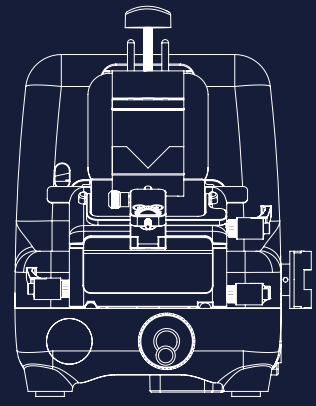
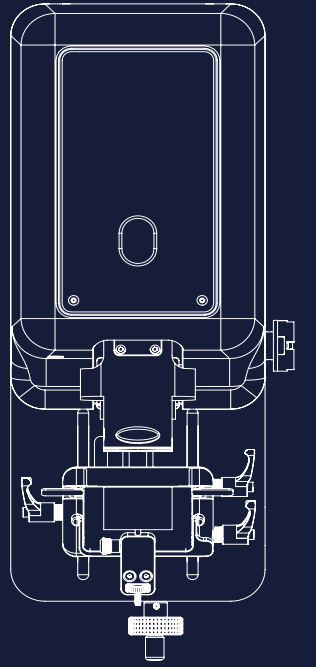
Packing Net weight (Manual): 146kg Gross Weight (Manual): 186kg Packing Dimensions: H 1540mm x W900mm x D1060mm Shipping volume: 1.632m³

Weights vary according to specification of instrument

Bright Instruments

OTF6000 CRYOSTAT

MICROTOME SPECIFICATION



Construction	Rotary rocking design of cast alloys, with detergent and solvent resistant epoxy-polyester finish.
Section Thickness Range	1-60µm in 1µm steps.
Specimen Advance	5600µm (Total).
Knife Block Movement	44mm (Total).
Retraction	Approximately 50µm.
Cutting Stroke	56mm.
Specimen Orientation	None (Fixed Head), ± 8° horizontal and vertical (Orienting Head).
Maximum Specimen Size	70mm x 50mm
Remaining Feed Indicator	Visual display

Knife Holders

Motorised Section Cutting

Safety Features

Dimensions
Weight

New interchangeable solid and QRFBH knifeblocks can take conventional steel knives; tungsten carbide tipped knives, glass knives and disposable blade holders. Sliding knife carriage with central lock. Alternatively, the quick release Feather blade holder is available as an optional feature either in addition to or in place of the standard knife holder block.

(Hi Spec Only) With variable speed, variable cutting zone, single or continuous modes, hands off footswitch and emergency stop.

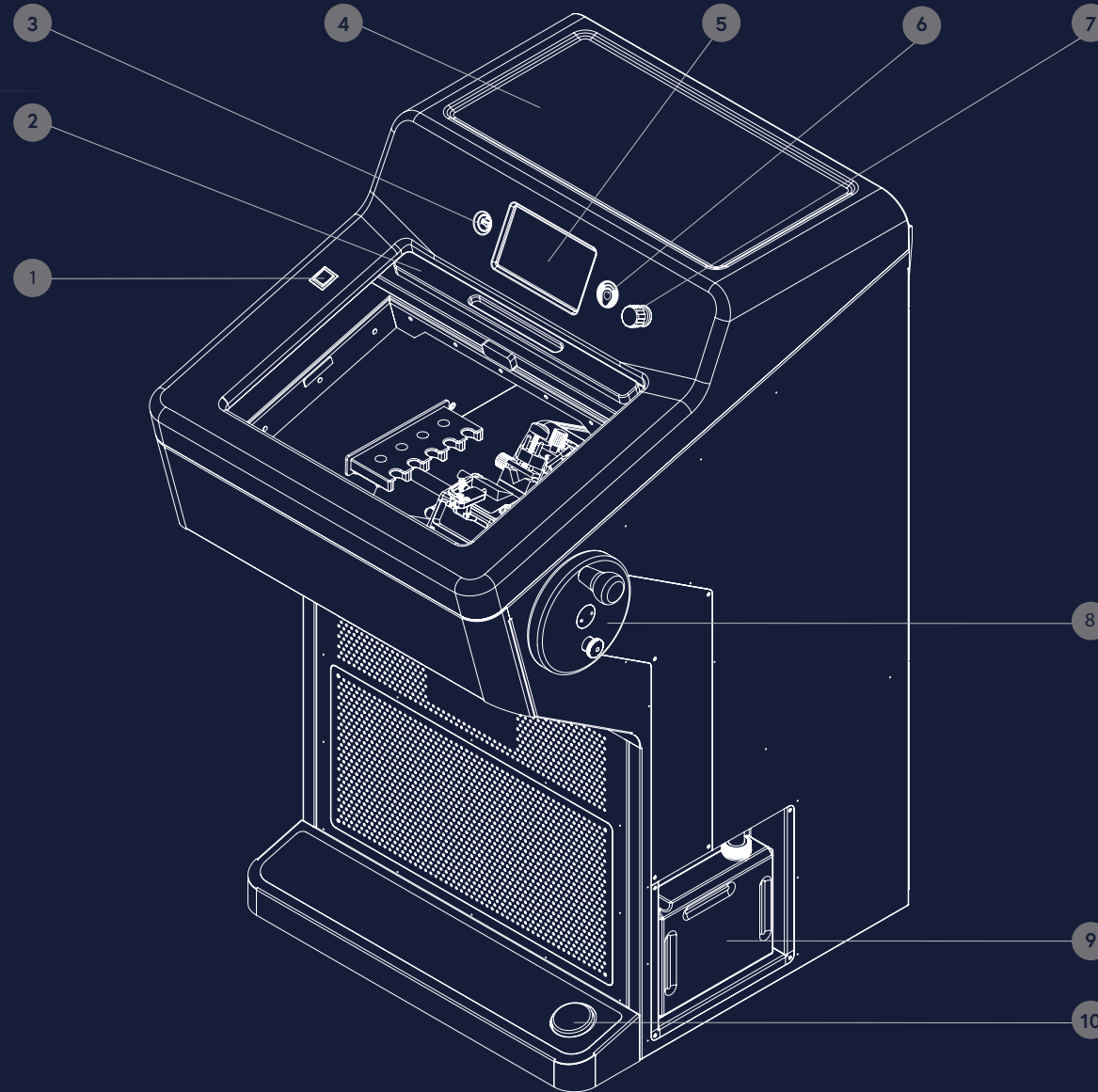
- Counter-balance handwheel with safety lock.
- Built in knife guards.
- Locking window.
- Requires RFID tag or password to access the touch screen controls.

H300 x W300 x D500mm Net weight (Manual): 20kg Gross weight (Manual): 25kg

Weights vary according to specification of instrument

CABINET CONTROLS

1. Advance/Rewind Switch
2. Automatic Demist Window
3. USB
4. Storage
5. Touchscreen
6. RFID Key Fob Scanning
7. Emergency Stop
(High Spec Models Only)
8. Handwheel
9. Waste Liquid Collection
10. Foot Switch
(High Spec Models Only)



Bright

Instruments

OTF6000 CRYOSTAT

CABINET CONTROLS

HEIGHT - 1260mm
WIDTH - 765mm
DEPTH - 855mm



OTF6000 CRYOSTAT

ORDER LIST 2021

PRODUCT	
Code	Description
OTF6000	<p>Complete with:</p> <ul style="list-style-type: none"> • Cryochamber - polished stainless steel construction. • Quick freezer - 9 position, running at 10°C below chamber. • Minimum chamber temperature: Single compressor -35°C. • Shelves: 2 internal, 1 external (Top) • Touch Screen with HMI. • Evaporator defrost: Automatic. • Cutting system: Manual with balanced handwheel. • Microtome: 5050 rotary microtome with beryllium hinges. • Section range: 1 to 60µm in 1µm increments. • Maximum head advance: 5.6mm. • Maximum knife block adjustment: 44mm (Coarse control). • Knife angle adjustment: 25° Solid Blade • Knife angle adjustment: 0-10° Feather Blade • Window surround: heated. • Heated glass window. • Built in UV decontamination. • Waste water bottle with level alarm. • Surface finishes: easy clean, scratch and solvent resistant. <p>Standard accessories include:</p> <ul style="list-style-type: none"> • 50230 Solid Knife or Feather Blade • Easi-set anti-roll plates (50mm). • Circular object holders (2 x 22mm, 1 x 37mm). • Set of Allen keys. • Bottle of Cryo-M-Bed 113ml. • Brush and debris tray. • Debris brush. • Instruction manual.

PRODUCT	
LOW SPECIFICATION **	
<p>OTF6000/LS-001 - 220V/240V AC, 50/60Hz Solid blade OTF6000/LS-002 - 110/115V AC, 50/60Hz Solid blade OTF6000/LS-003 for 220V/240V AC, 50/60Hz Quick Release Feather blade OTF6000/LS-004 for 110/115V AC, 50/60Hz Quick Release Feather blade</p> <p>Specification</p> <ul style="list-style-type: none"> • Powder Coated Welded Steel Chassis. • Colour Touchscreen Display. • Physical Specimen Advance Rewind Switch. • Manual Handwheel Drive. • Refrigeration:-35 °C (Single Compressor). • Quick Freeze Block. <ul style="list-style-type: none"> • Anti Fog Window. • Window Lock RFID Access. • Built in Waste Collection Bottle. • Heated Specimen Block. • UV Decontamination. • Refrigeration Alarm. • Recent User Log Records. 	
HIGH SPECIFICATION **	
<p>OTF6000/HS-001 for 220V/240V AC, 50/60Hz Solid blade OTF6000/HS-002 for 110/115V AC, 50/60Hz Solid blade OTF6000/HS-003 for 220V/240V AC, 50/60Hz Feather Blade OTF6000/HS-004 for 110/115V AC, 50/60Hz Feather Blade</p> <p>*As above specification plus the below</p> <ul style="list-style-type: none"> • Motorised Handwheel Drive. • Emergency Stop. • Built in Footswitch. <ul style="list-style-type: none"> • Refrigeration: -40 °C (Dual Compressor) 	

Office: Bright Instruments LTD
 Burnett House, Lakeview Court Ernnie
 Business Park, Huntingdon
 Cambridgeshire, PE29 6UA

Telephone: +44 (0) 808 168 9697
 Web: brightinstruments.com

MADE IN BRITAIN 

* Included in standard order | **Not included in overseas orders. VAT not included - E & OE

OTF6000 CRYOSTAT

ORDER LIST 2021

FEED SCREWS FOR / MAR OPTION

Code	Description	
50255-1	0.5 - 30µm feed screw.	OPTION 1
50257-1	1 - 60µm feed screw.	STANDARD
50258-1	2 - 120µm feed screw.	OPTION 2

ORIENTATION

Code	Description
51695	Universal head assembly for orientating object holders. Used on instruments without the factory fitted orientation system. This fits into the standard specimen clamp in place of the V-block and permits a range of orientating object holders to be used. NB Not compatible with /D cryomatic specimen temperature control.

OBJECT HOLDERS

Code	Description
50734-1*	Object holder, 22mm diameter, solid.
50734-2	Object holder, 22mm diameter, solid, as 50734-1 but long type.
50734-4	Object holder Brass 22 diameter.
50735-1*	Object holder, 37mm diameter, solid.
50735-2	Object holder, 37mm diameter, solid, as 50735-1 but long type.
50744	Object holder, 5mm diameter, solid.
50721	Object holder, 50mm diameter.
50741	Object holder, 50 x 50mm.
50743	Object holder, 50 x 70mm.
54229	Object Holder Stepped 16mm short.
50720	Orientating object holder, 22mm diameter, for use with item 51695.
50719	Orientating object holder, 37mm diameter, for use with item 51695.
50718	Orientating object holder, 50mm diameter, for use with item 51695.
50712	Orientating object holder, 50 x 50mm, for use with item 51695.
50745	Orientating object holder, 5mm diameter, for use with item 51695.
50221	Quick release object holder clamp, complete with 50 metal object discs.
50727	Hollow object holder 22mm.
50690	Metal object holder discs, 22mm, pack of 50.
50204	Cork object holder discs, 22mm, pack of 50.
50204-1	Cork object holder discs, 50 x 50mm, pack of 50.
54168	Prostate Cryomould Former L22 x W6 x D4mm
54170	Quick release object holder strip clamp, complete with 10 of part number 54171
52658	Vertical vice clamp.
52632	Vertical vice clamp, 45°.

Office: Bright Instruments LTD
Burnett House, Lakeview Court Ermnie
Business Park, Huntingdon
Cambridgeshire, PE29 6UA

Telephone: +44 (0) 808 168 9697
Web: brightinstruments.com

MADE IN BRITAIN 

* Included in standard order | **Not included in overseas orders. VAT not included - E & OE

OTF6000 CRYOSTAT

ORDER LIST 2021

KNIVES & BLADES	
Code	Description
50241	Pack of 50 disposable Feather blades
50232-1	Hardened steel knife with box C-profile, 160 x 35 x 9mm 15° angle suitable for large area sections.
50207	Hardened steel knife with box C-profile, 160 x 32 x 13mm 23° angle suitable for large area sections.
50230*	Standard knife with box C-profile 189 x 27 x 10mm 22° angle tapped to accept holder for Shandon knife sharpener, safety cut-outs at each end B1009DR.
50234	Tungsten carbide tipped knife with box, 228 x 38 x 6mm. Suitable for cutting bone and hard plastics.NB Needs to be resharpened at our factory.

ANCILLIARY ITEMS	
Code	Description
57808	Anti static brush 12mm.
57344*	Knife cleaning brush.
53581	Bright Cryo- M-Bed 120ml carton of 6 bottles.
53581-1*	Bright Cryo-M-Bed 120ml bottle.
57713-1*	Bright Cryospray 134 300ml aerosol can.
57713	Bright Cryospray 134 300ml aerosol can, carton of 12 cans.
57491*	Low temperature oil, 200ml bottle.
57491-1	Low temperature oil, 4.54 litre bottle.
56561	Suction cups for 50138, pack of 12.
56560	Rubber teats for 50138 pack of 12.
57151/2/3	Allen keys, set of three.
52518*	Brush and debris tray.

Office: Bright Instruments LTD
Burnett House, Lakeview Court Ernie
Business Park, Huntingdon
Cambridgeshire, PE29 6UA

Telephone: +44 (0) 808 168 9697
Web: brightinstruments.com

MADE IN BRITAIN 

* Included in standard order | **Not included in overseas orders. VAT not included - E & OE

Bright

Instruments

Burnett House
Lakeview Court
Ernie Business Park
Huntingdon
Cambridgeshire
PE29 6UA

+44 (0) 808 168 9697
brightinstruments.com

Member of:

MADE IN BRITAIN 

Included in standard order | **Not included in
overseas orders. VAT not included - E & OE