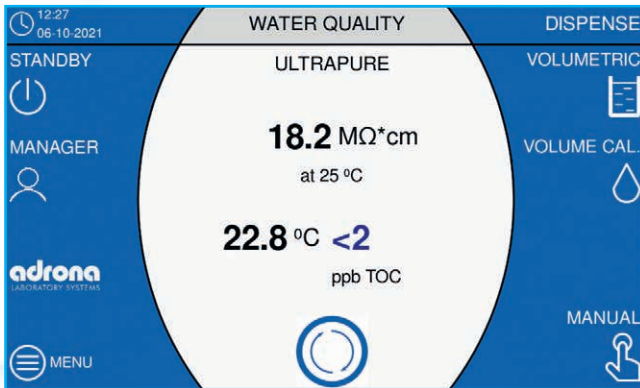


CONNECT LT

The new version of market approved laboratory water polishing system – Connect received totally new electronics and software. As a result there are number of the new features – full colour touch screen, USB and Ethernet connections and available history of dispense reports.



ORDERING INFORMATION

Model	Part number
Connect LT	CB-1801
Connect LT Bio	CB-1803

LARGE TOUCHSCREEN

- Simplified and detailed information in multiple languages
- Alerts and alarms are visible on the main screen with complete information on actions required
- Monitoring the operation of the system

CONVENIENT

- Easy menu navigation in multiple languages
- Easy access to change consumables

COMPACT

- Total dimensions: 290 mm wide, 650 mm high, 440 mm deep
- Integral to your bench space

EASY TO USE

- Water delivered up to 2 liters a minute keeps interruptions to a minimum
- Volumetric dispensing allows fast reissue of volumes
- Volumetric control is available from 0.01 to 100 L

COST EFFECTIVE

- All consumables included
- Large volume DI cartridge
- Space-saving design for a more efficient laboratory setup and daily operation

SPECIFICATIONS

	LT	LT Bio
Grade 1 water resistivity at 25 °C	18.2 MΩ x cm	18.2 MΩ x cm
Grade 1 water conductivity at 25 °C	0.055 µS/ cm	0.055 µS/ cm
TOC	<5 ppb*	<5 ppb*
RNase	-	<0.01 ng/mL
DNase	-	<4 pg/µL
Bacteria	<0.01 CFU/mL	<0.01 CFU/mL
Endotoxins	<0.15 EU/mL	< 0.001 EU/mL
Particles >0.22 µm	<1/ mL	<0.05/ mL
Dispense rate, ultrapure water	1.5 - 2 L/min	1.5 - 2 L/min
Dimensions (WxDxH), cm	29x44x65	29x44x65
System weight, kg	17	17
Operation weight, kg	20	20
Feed water conductivity	< 100 µS/cm	< 100 µS/cm

*In appropriate operating conditions <2 ppb, otherwise normally <5 ppb.

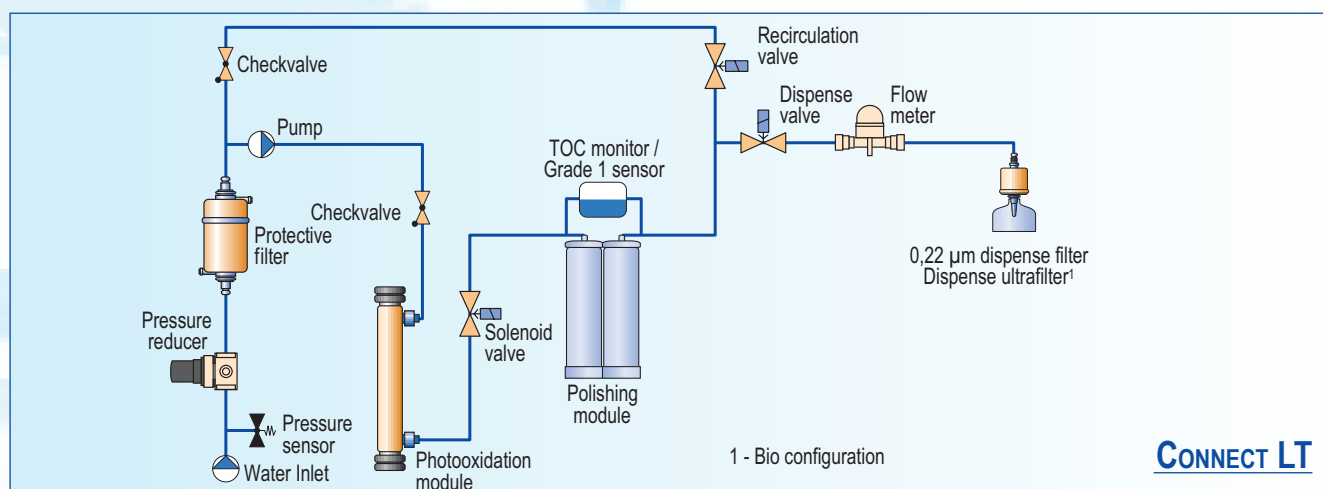
DESCRIPTION

	LT	LT Bio
Water type	ultrapure water (Grade 1)	ultrapure water (Grade 1)
Application	<ul style="list-style-type: none"> • chromatography • mass spectrometry • microbiology • molecular biology 	highly sensitive biology applications
Display	7" colour touchscreen	
Conductivity sensor	•	•
TOC Monitor	•	•
Volumetric dispensing	•	•
Connection to Flow point	•	•
Installation	installable either on a laboratory bench or on a wall	

CONSUMABLES

Part number	Description	Replacement criteria	Comments
10031	Polishing Q w/ quick connectors	Grade 1 water conductivity is >0.1 µm/cm constantly or every 12 months	Depends on water consumption amount
10018	Photooxidation UV bulb	On average – every 2 years	"LT" and "LT Bio" configuration
10012	Replacement 0.22 µm dispense filter	Every 6–12 months	"LT" configuration
10120	Replacement ultrafilter	Every 3–6 months	"LT Bio" configuration

FLOW DIAGRAM



CONNECT LT