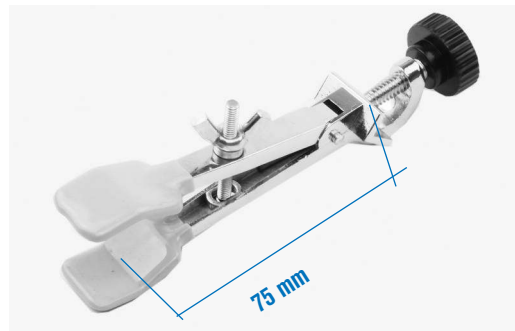


CLAMP FOR BURETTES AND TUBES

Made of chrome plated metal with two prong jaws coated with PVC.
For Ø from 7 to 25 mm.

Part No. **7000130**



BOSSHEAD WITH BURETTE AND TUBE CLAMP

Made of chrome plated metal with PVC coated double prong jaws.
For Ø from 7 to 25 mm.

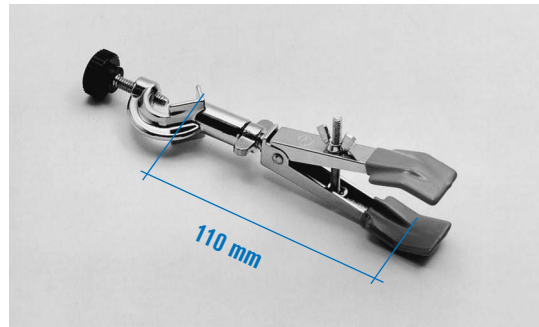
Part No. **7000140**



CLAMP FOR BURETTES AND CONDENSERS

Made of chrome plated metal with PVC coated jaws.
For Ø from 12 to 45 mm.

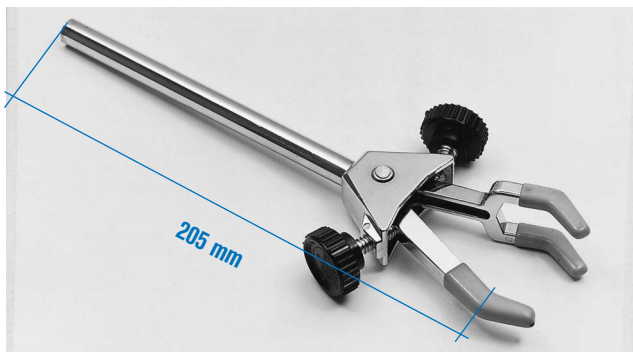
Part No. **7000131**



SWIVEL CLAMP BOSSHEAD FOR CONDENSERS

Swivel clamp with double PVC lined jaws For Ø from 12 to 45 mm.

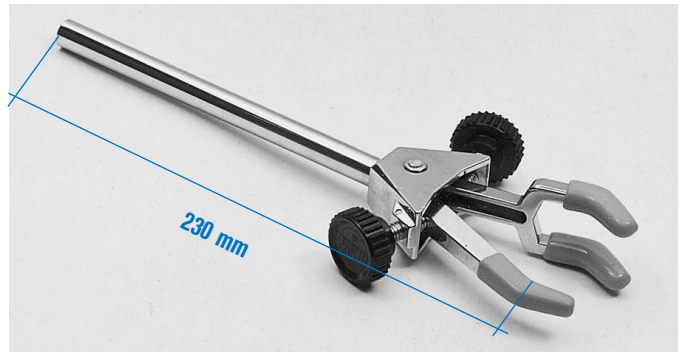
Part No. **7000141**



CLAMP "TRIPLEX"

Three pronged PVC coated clamp made of chrome plated metal.
For Ø from 0 to 35 mm.

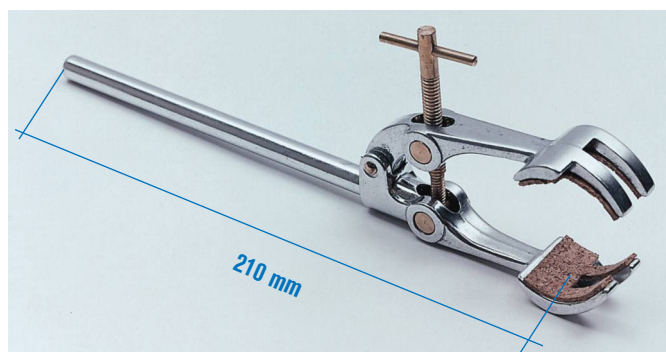
Part No. **7000160**



CLAMP "TRIPLEX"

Three pronged PVC coated clamp made of chrome plated metal.
For Ø from 0 to 60 mm.

Part No. **7000161**



UNIVERSAL CLAMP "MINIMAX"

Made of Dur-aluminium with cork lined jaws.
For Ø from 0 to 80 mm.

Part No. **7000403**