

# Hygienic Socket



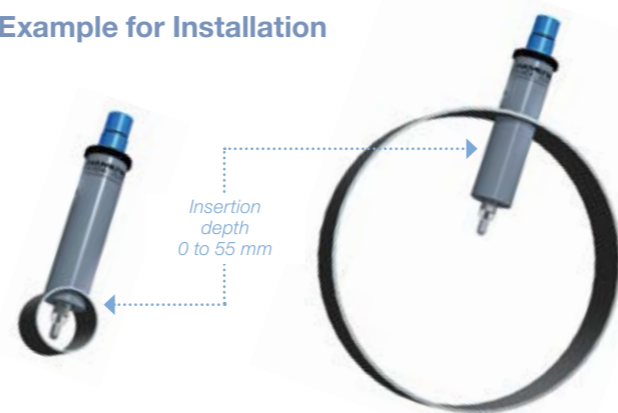
The Hygienic Socket with its space saving design and simple sterilization is ideal to weld in fermenters or small pipes. The advantages are numerous for many other applications in tanks or pipes for water treatment and in the pharmaceutical and chemical industries.

It is designed for 120 mm sensors and developed for easy installation and maintenance, improve the cleaning process and increase safety. Two "Live Guard" openings provide an indication of sealing failures. The sensor insertion depth can be varied for DO sensors by using the Hamilton DO Adapter.

## Benefits

- ▶ Hygienic design because complete sensor installation with only one wetted o-ring
- ▶ Space saving
- ▶ Cost saving: Socket and Housing all in one
- ▶ Low maintenance and easy replacement of o-ring

## Example for Installation



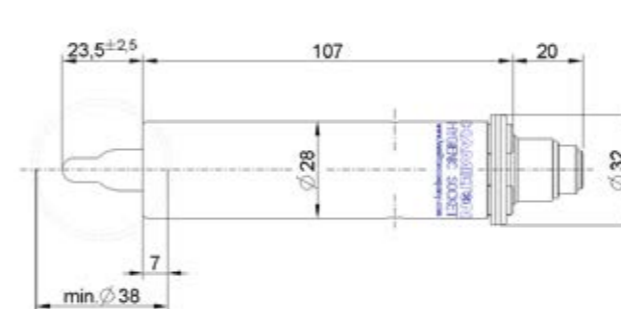
## Specifications

Wetted parts	Stainless Steel 1.4435 or 1.4404 or 1.4571 or 2.4602
O-ring material	EPDM
Pressure range (relative to ambient)	0 to 16 bar
Temperature range	-10 to 140 °C
Sensor thread	PG 13,5
Sensor a-length	120 mm
Surface finish	R <sub>a</sub> < 0.4 μm (N5)

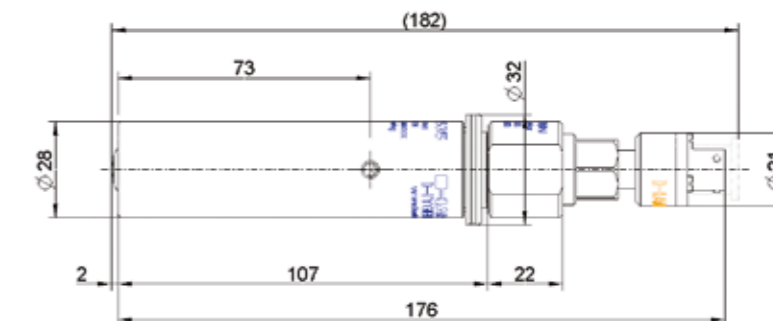
For more specifications see [www.hamiltoncompany.com](http://www.hamiltoncompany.com)

## Dimensional drawings

all dimensions in mm



Hygienic socket with a pH sensor



Hygienic socket with DO adapter and oxygen sensor

## Ordering Information

Type	Ref
Hygienic Socket 1.4404	242535
Hygienic Socket 1.4435	242545
Hygienic Socket 1.4571	242548
Hygienic Socket 2.4602	242550

## Accessories



- Hygienic Socket DO Adapter Ref 242538
- Replacement Kit Seal Pusher Ref 242532
- O-ring set EPDM Ref 242595
- Sensor Dummy 96 mm Ref 242540

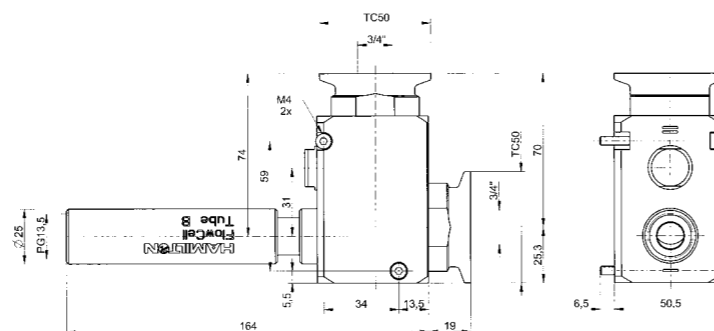
- Sensor Dummy 117 mm Ref 242563
- O-ring set FKM Ref 242596
- O-ring set Silicone Ref 242597
- O-ring set FFKM Ref 242598

# FlowCell/XL



Hamilton Flow-Through Cells are designed for measuring one or two parameters at a time. Possible combinations are pH/DO and pH/Conductivity. The measurement is done in bypasses when inline measurement is not possible due to small pipe dimensions. Application fields are biotechnology, water treatment and power plants, where reliable measurements have to be carried out in ion-weak media. There are two different sizes of the flow cells available.

Dimensional drawings / 242590 all dimensions in mm



## Specifications

Wetted parts	Stainless Steel 1.4435, PEEK
O-ring material for blind plug	EPDM
Pressure range (relative to ambient)	0 to 16 bar
Temperature range	-10 to 140 °C
Sensor thread	PG 13.5
Sensor a-length	120 mm
Process connection	TC 25, TC 50, Swagelok

For more specifications see [www.hamiltoncompany.com](http://www.hamiltoncompany.com)



## Benefits

- ▶ Flexible design for one or two measuring points
- ▶ PEEK insert of high chemical resistance
- ▶ Low dead volume
- ▶ Self draining
- ▶ Internal aseptic clamp pipe connection

## Ordering Information

### Flow Cell

242585

Code	Measuring position
1	only pH or Conducell UPW
2	only Conductivity or Oxygen
3	pH and Conductivity or Oxygen
4	Conductivity and Oxygen
0	special
Code	Pipe Connection
1	TC25 ¼"
2	TC25 ⅜"
3	TC25 ½"
4	Swagelok 6 mm
5	Swagelok 10 mm *
6	Swagelok ¼"
7	Swagelok ⅜" *
8	Swagelok ½" *
0	special
Code	o-ring material
1	EPDM
2	FFKM (two measuring positions)
3	FFKM (one measuring position)
0	special

242585 -

← Order Code

### Flow Cell XL

242590

Code	Measuring position
1	only pH or Conducell UPW
2	only Conductivity or Oxygen
3	pH and Conductivity or Oxygen
4	Conductivity and Oxygen
0	special
Code	Pipe Connection
1	TC50 ¾"
2	TC50 1"
3	TC50 1.5" *
0	special
Code	o-ring material
1	EPDM
2	FFKM (two measuring positions)
3	FFKM (one measuring position)
0	special

242590 -

← Order Code

\*Not self draining



Accessories

- **O-ring kit Flow Cell**  
Ref 237387
- **O-ring kit Flow Cell XL**  
Ref 237390
- **Sensor Dummy**  
96 mm Ref 242540  
117 mm Ref 242563