

# Conducell 4UxF family

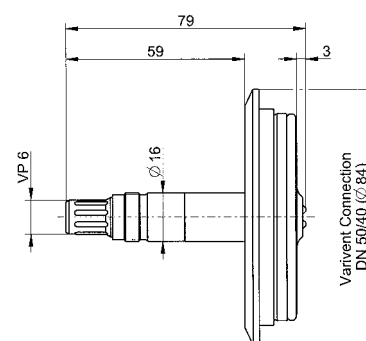


### Specifications

Measuring range	1 µS/cm to 300 mS/cm
Measurement Principle	4 pole contacting
Process temperature	-20 to 150 °C (Arc: analog 0 to 110 °C, digital 0 to 140 °C)
Pressure range (relative to ambient)	0 to 20 bar (135 °C) 0 to 10 bar (150 °C)
Hygienic aspects	Autoclavable, CIP, SIP
Cell constant	0.36/cm
Material of electrodes (x)	S = Stainless steel 1.4435 H = Hastelloy C 2.4602 T = Titanium Pt = Platinum
O-ring	EPDM (other versions available on request)

For more specifications see [www.hamiltoncompany.com](http://www.hamiltoncompany.com)

Drawing of Conducell 4USF-VV all dimensions in mm



The Conducell 4UxF sensors are suited for measurements in hygienic applications. All wetted parts are FDA-approved, can be cleaned easily and withstand CIP cleanings and autoclavations. The sensors show a very good linearity over a broad measuring range. They are available with different process connections such as BioConnect® (BC) or Varivent®.

The Conducell 4USF with stainless steel electrodes is most common and suitable for many applications.

All plastic materials are compliant with the order EU 10/2011.

### Benefits

- ▶ Very good linearity, especially for applications with sharp variations in conductivity
- ▶ All wetted parts are FDA-compliant
- ▶ Sensor is very easy to clean due to the forward facing, flush arrangement of electrodes
- ▶ Specifically designed for sterile applications in Pharma and Biotechnology

### Typical applications

- ▶ CIP station
- ▶ Water preparation

### Ordering Information

#### Conducell 4UxF Family Structure

243590	Code		Electrode Material	
	1		Stainless Steel 1.4435	
	2		Platinum (not for Triclamp)	
	3		Stainless Steel 2.4602	
	4		Titanium (not for Triclamp)	
	Code		Electrical Connector	
	1		Arc	
	2		VP 6	
	Code		a-length (mm)	
	1		120 (PG13,5)	
2		225 (PG13,5)		
3		325 (PG13,5)		
4		425 (PG13,5)		
5		30 (PG13,5)		
6		60 (PG13,5)		
7		21 – Triclamp 1.5"		
Code		O-ring Material		
1		EPDM		
243590 –				← Order Code

	a-length	VP 6
Conducell 4USF-VV	3	237640 (non Ex)
Conducell 4USF-BC	21	237650 (non Ex)

VV = Varivent®  
BC = BioConnect

### Accessories



**Conductivity Standards** see page 108

**Cables** see page 112

**Housings** see page 127

