

FlexiFit



The FlexiFit housings are designed for 120 mm sensors in different kinds of industries. A variety of process connections ensure the usability in the chemical industry as well as in hygienic processes. All FlexiFit have EPDM o-rings and the electropolished surface quality ($R_a < 0.4 \mu\text{m}$) quality is shown on a certificate. They are suitable for autoclavation, CIP and SIP procedures.

Benefits

- ▶ Easy installation and handling
- ▶ Various o-ring positions available
- ▶ Hygienic design

Ordering Information

Type	Process Connection	Ref
FlexiFit Bio	G 1¼	237331-OP
FlexiFit U Bio	G 1¼	237380-OP
FlexiFit TC 150-33	TC 1.5"	237341
FlexiFit VV-0	Varivent®	237344
FlexiFit VV-15	Varivent®	237345

U = Unprotected
TC = Triclamp

Specifications

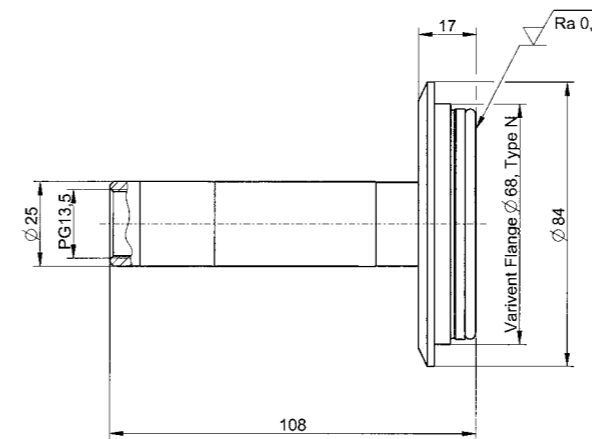
Wetted parts	Stainless Steel 1.4435
O-ring material	EPDM
O-ring position	22 to 55 mm (G 1¼)
Pressure range (relative to ambient)	0 to 6 bar
Temperature range	-10 to 140 °C
Sensor thread	PG 13.5
Sensor a-length	120 mm
Surface finish	$R_a < 0.4 \mu\text{m}$ (N5 electropolished)

For more specifications see www.hamiltoncompany.com

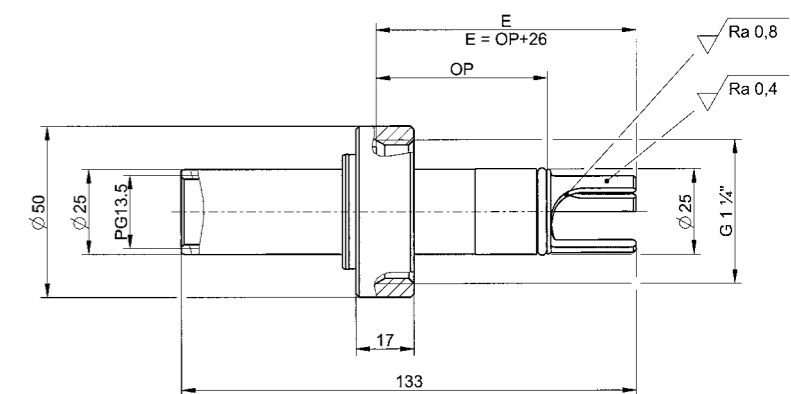
Other designs and materials available on request

Dimensional drawing / FlexiFit

all dimensions in mm



FlexiFit VV-0



FlexiFit Bio

Accessories



- Service Kit FlexiFit Bio Ref 237366
- Service Kit FFKM Ref 237319
- Service Kit FKM Ref 237219
- Service Kit RetractoFit PEEK Ref 237388

Safety Socket see page 152

