

# FlexiFit



The FlexiFit housings are designed for 120 mm sensors in different kinds of industries. A variety of process connections ensure the usability in the chemical industry as well as in hygienic processes. All FlexiFit have EPDM o-rings and the electropolished surface quality ( $R_a < 0.4 \mu\text{m}$ ) quality is shown on a certificate. They are suitable for autoclavation, CIP and SIP procedures.

## Benefits

- ▶ Easy installation and handling
- ▶ Various o-ring positions available
- ▶ Hygienic design

## Ordering Information

Type	Process Connection	Ref
FlexiFit Bio	G 1¼	237331-OP
FlexiFit U Bio	G 1¼	237380-OP
FlexiFit TC 150-33	TC 1.5"	237341
FlexiFit VV-0	Varivent®	237344
FlexiFit VV-15	Varivent®	237345

U = Unprotected  
TC = Triclamp

## Specifications

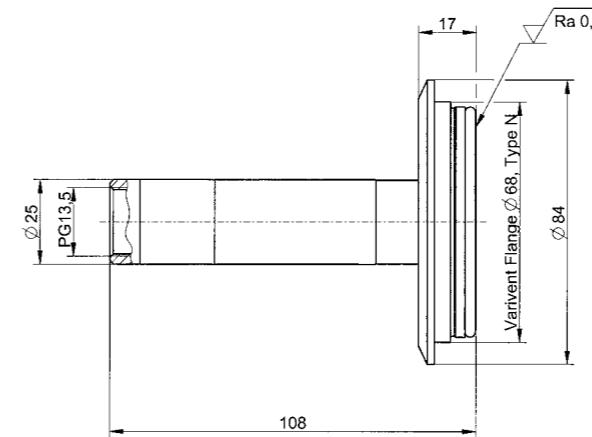
Wetted parts	Stainless Steel 1.4435
O-ring material	EPDM
O-ring position	22 to 55 mm (G 1¼ )
Pressure range (relative to ambient)	0 to 6 bar
Temperature range	-10 to 140 °C
Sensor thread	PG 13.5
Sensor a-length	120 mm
Surface finish	$R_a < 0.4 \mu\text{m}$ (N5 electropolished)

For more specifications see [www.hamiltoncompany.com](http://www.hamiltoncompany.com)

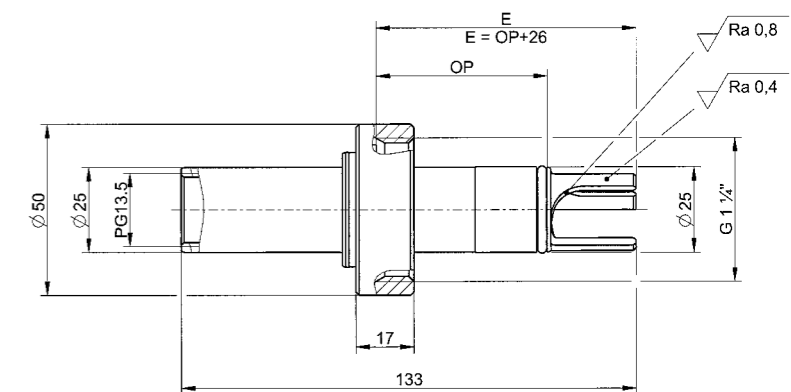
Other designs and materials available on request

## Dimensional drawing / FlexiFit

all dimensions in mm



FlexiFit VV-0



FlexiFit Bio

## Accessories



- **Service Kit FlexiFit Bio** Ref 237366
- **Service Kit FFKM** Ref 237319
- **Service Kit FKM** Ref 237219
- **Service Kit RetractoFit PEEK** Ref 237388

**Safety Socket** see page 152



# MasterFit



The MasterFit is a housing for pressurizable pH sensors like the ChemoTrode types. The pressurization ensures a constant outflow of electrolyte. This helps to prevent clogging of the diaphragm and poisoning of the electrolyte. The MasterFit can be used in a huge variety of applications mainly in the chemical industry.

The pressure inside the MasterFit can be controlled via a built-in manometer. Furthermore the liquid level of the electrode can be controlled through the coated glass body of the armature at any time.

## Benefits

- ▶ Sealing feature prevents loss of pressure caused by soiling
- ▶ Pressure reduction on disassembly
- ▶ Various o-ring positions available
- ▶ Easy maintenance

## Ordering Information

Type	Process Connection	Ref
MasterFit 120	G 1/4	237200-OP
MasterFit 150	G 1/4	237225-OP
MasterFit 250	G 1/4	237245-30



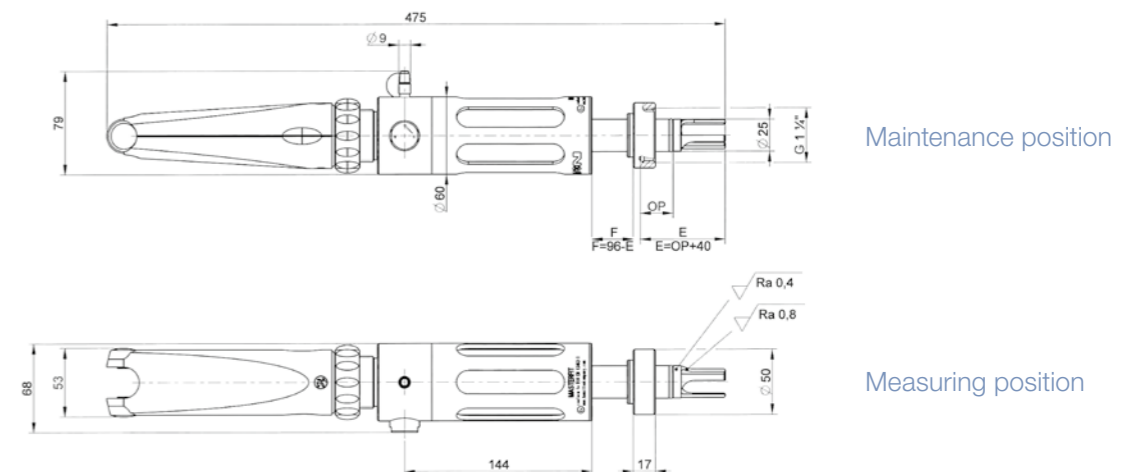
## Specifications

Wetted parts	Stainless Steel 1.4435
O-ring material	EPDM
O-ring position	22 to 55 mm
Pressure range (relative to ambient)	0 to 6 bar
Temperature range	-10 to 130 °C
Sensor a-length	120, 150, 200 mm
Surface finish	R <sub>a</sub> < 0.8 μm (N6)

For more specifications see [www.hamiltoncompany.com](http://www.hamiltoncompany.com)

## Dimensional drawings / MasterFit 120

all dimensions in mm



Type	A (armature insertion depth)	B (total length)
MasterFit 120	40 mm	475 mm
MasterFit 150	70 mm	505 mm
MasterFit 250	170 mm	605 mm

## Accessories



- Pressure Adapter Ref 237252
- Service Kit for MasterFit Ref 237229
- FFKM Kit for MasterFit Ref 237319

- Flange Adapter for MasterFit\* Ref 237910

Safety Socket see page 152

\*The Flange Adapter is used with a MasterFit 120 and a sensor with a shaft length of 150 mm