

RetractoMaster



The RetractoMaster is a retractable housing for pressurizable sensors like the ChemoTrode. The pressurization ensures a constant outflow of electrolyte. This helps to prevent clogging of the diaphragm and poisoning of the electrolyte. It allows the operator to mount and dismount the sensors while the process is running. The pressure inside the RetrctoMaster can be controlled via a built-in manometer. Only one press on the red button is needed to move the sensor into or out of the process. Safe sensor handling during process is guaranteed because insertion into a vessel without the sensor is impossible so is removal while in measuring position. O-rings can easily be replaced without special tools. Furthermore the liquid level of the electrode can be controlled through the coated glass body of the armature at any time. The RetractoMaster can be used in a huge variety of applications mainly in the chemical industry.

Benefits

- ▶ Sensor can be withdrawn from the process for cleaning, calibration or replacement
- ▶ Easy maintenance
- ▶ Long life time of the sensor due to pressurization of the sensor and the possibility to remove it while the process is running.
- ▶ 3.1 certificate included

Ordering Information

Type	Process Connection	Ref
RetractoMaster	G 1¼	237250



Specifications

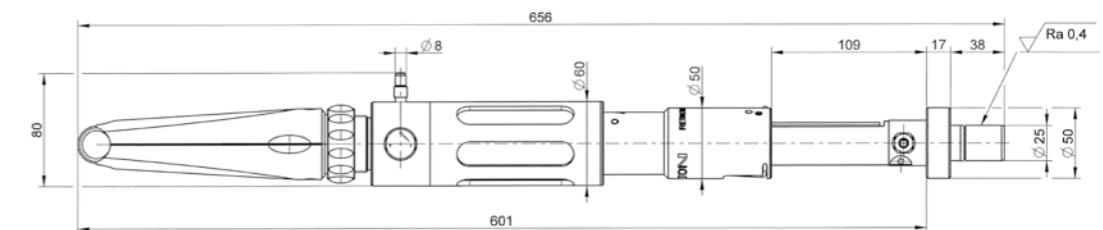
Wetted parts	Stainless Steel 1.4571
O-ring material	FKM
O-ring position	22.5 mm
Pressure range (relative to ambient)	0 to 6 bar
Temperature range	-10 to 130 °C
Sensor a-length	250 mm
Surface finish	R _a < 0.4 µm (N5)

For more specifications see www.hamiltoncompany.com

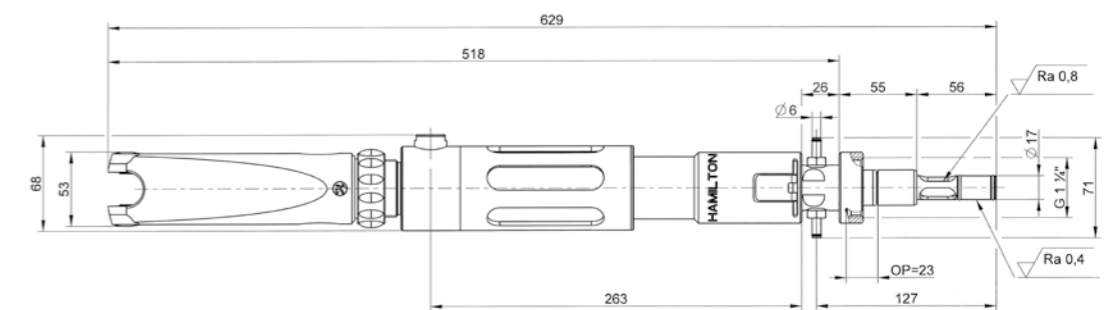
Dimensional drawings

all dimensions in mm

Maintenance position



Measuring position



Accessories



- **Pressure Adapter** Ref 237252

Safety Socket see page 152