

MasterFit



The MasterFit is a housing for pressurizable pH sensors like the ChemoTrode types. The pressurization ensures a constant outflow of electrolyte. This helps to prevent clogging of the diaphragm and poisoning of the electrolyte. The MasterFit can be used in a huge variety of applications mainly in the chemical industry.

The pressure inside the MasterFit can be controlled via a built-in manometer. Furthermore the liquid level of the electrode can be controlled through the coated glass body of the armature at any time.

Benefits

- ▶ Sealing feature prevents loss of pressure caused by soiling
- ▶ Pressure reduction on disassembly
- ▶ Various o-ring positions available
- ▶ Easy maintenance

Ordering Information

Type	Process Connection	Ref
MasterFit 120	G 1/4	237200-OP
MasterFit 150	G 1/4	237225-OP
MasterFit 250	G 1/4	237245-30



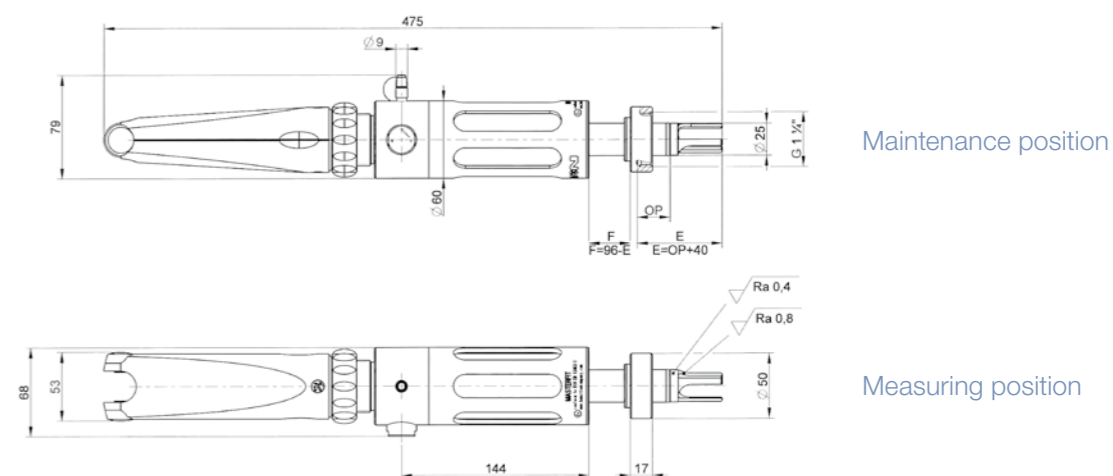
Specifications

Wetted parts	Stainless Steel 1.4435
O-ring material	EPDM
O-ring position	22 to 55 mm
Pressure range (relative to ambient)	0 to 6 bar
Temperature range	-10 to 130 °C
Sensor a-length	120, 150, 200 mm
Surface finish	R _a < 0.8 μm (N6)

For more specifications see www.hamiltoncompany.com

Dimensional drawings / MasterFit 120

all dimensions in mm



Type	A (armature insertion depth)	B (total length)
MasterFit 120	40 mm	475 mm
MasterFit 150	70 mm	505 mm
MasterFit 250	170 mm	605 mm

Accessories



- **Pressure Adapter** Ref 237252
- **Service Kit for MasterFit** Ref 237229
- **FFKM Kit for MasterFit** Ref 237319

- **Flange Adapter for MasterFit*** Ref 237910

Safety Socket see page 152

*The Flange Adapter is used with a MasterFit 120 and a sensor with a shaft length of 150 mm