

MF, Magnetic Filter Holder

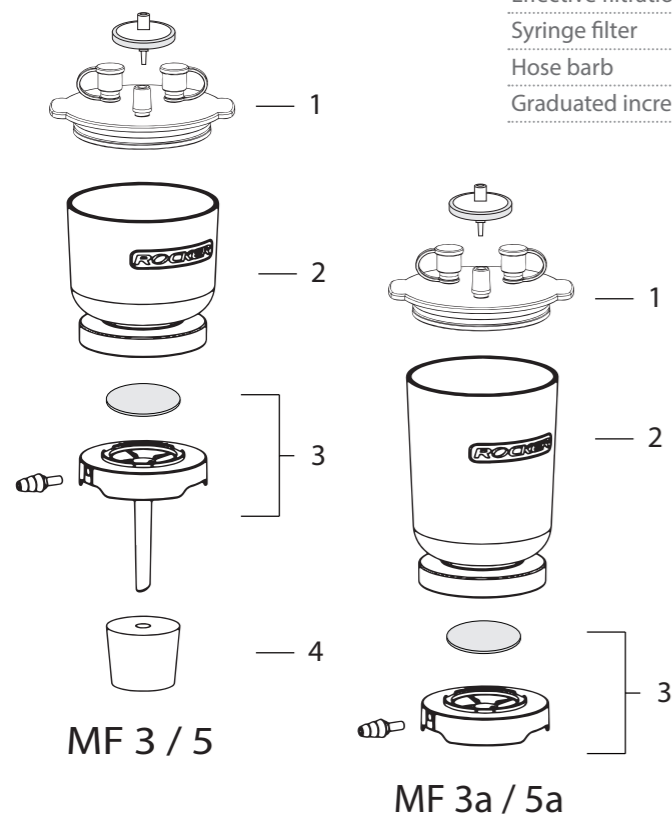


Features

- ▶ Compatible with various kinds of bottle, vacuum flask with or without side arm to collect filtrate directly.
- ▶ Strong magnetic seal allows one-handed operation, prevents possible twisting and tearing of the membrane.
- ▶ Membrane guide on the base helps position membrane easily.
- ▶ PES (Polyethersulfone) construction, resistant to a wide range of chemicals and high temperature, sturdy and unbreakable.
- ▶ MF magnetic filter holder was awarded the United States (US 9.452.373B1), Taiwan (I551337) and China (ZL 2015 2 0050109.6) invention patent.
- ▶ International environmental declaration: RoHS certification

Specifications

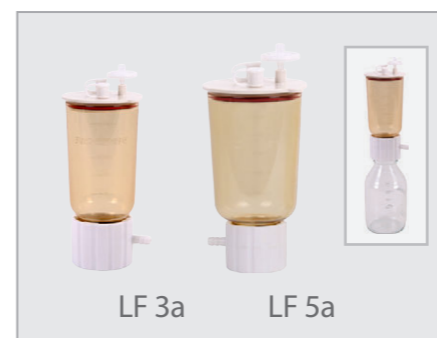
Material	MF 3 / MF 5	MF 3a / MF 5a
Funnel	PES	PES
Support base	PES	PES
Membrane support	PES	PES
Funnel lid	PP	PP
Hose barb	PES	PES
Cap of lid	Silicone	Silicone
Syringe filter	PTFE	PTFE
Specifications		
Funnel capacity	300 ml / 500 ml	300 ml / 500 ml
Filter diameter	47 mm	47 mm
Effective filtration area	13.1 cm ²	13.1 cm ²
Syringe filter	25 mm, 0.2 μm	25 mm, 0.2 μm
Hose barb	ID4 ~ ID8	ID4 ~ ID8
Graduated increment	50 ml	50 ml



Ordering Information

MF 3, Magnetic Filter Holder (300 ml)	200300-01
MF 5, Magnetic Filter Holder (500 ml)	200500-01
1 PP lid kit	200300-36
2 PES magnetic funnel, 300 ml	200300-30
2 PES magnetic funnel, 500 ml	200500-30
3 PES magnetic support base	200300-32
4 Silicone stopper (No.8)	167110-16
MF 3a, Magnetic Filter Holder (300 ml)	200310-01
MF 5a, Magnetic Filter Holder (500 ml)	200510-01
1 PP lid kit	200300-36
2 PES magnetic funnel, 300 ml	200300-30
2 PES magnetic funnel, 500 ml	200500-30
3 PES magnetic support base (short)	200310-32

LF, Spin-Lock Filter Holder

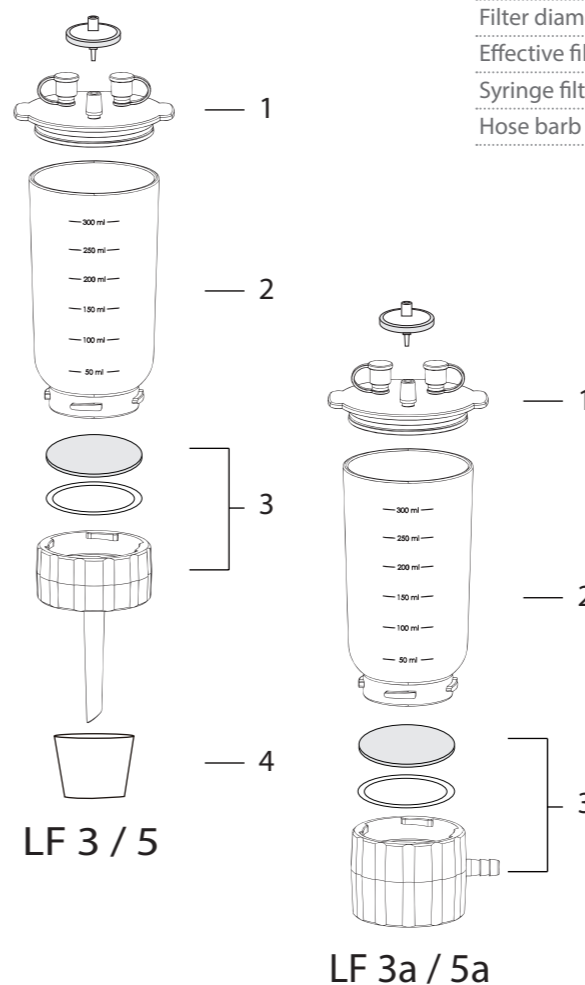


Features

- ▶ Spin-lock connection (M381450) facilitates fast and stable installation without clamp.
- ▶ PES structure offers excellent smash, high temperature (180°C) resistance and autoclavable.
- ▶ Groove design on membrane support facilitates filtration speed.
- ▶ Reusable, friendly to the earth and save your money.
- ▶ LF 3 / 5 equips with No. 8 stopper that allows it to fit other receiver flasks.
- ▶ LF 3a / 5a is available to fit any GL45 laboratory glass bottle.

Specifications

Material	LF 3 / LF 5	LF 3a / LF 5a
Funnel	PES	PES
Support base	PC	PC
Membrane support	PP	PP
Funnel lid	PP	PP
Cap of lid	Silicone	Silicone
Syringe filter	PTFE	PTFE
Specifications		
Funnel capacity	300 ml / 500 ml	300 ml / 500 ml
Filter diameter	47 mm	47 mm
Effective filtration area	12.5 cm ²	12.5 cm ²
Syringe filter	25 mm, 0.2 μm	25 mm, 0.2 μm
Hose barb	-	ID8



Ordering Information

LF 3, Spin-Lock Filter Holder (300 ml)	197000-01
LF 5, Spin-Lock Filter Holder (500 ml)	197000-06
1 LF 3, PP lid kit	197000-36
1 LF 5, PP lid kit	200300-36
2 PES funnel, 300 ml	197000-34
2 PES funnel, 500 ml	197000-56
3 PC support base	197000-35
4 Silicone stopper (No. 8)	167110-16
LF 3a, Spin-Lock Filter Holder (300 ml)	197000-02
LF 5a, Spin-Lock Filter Holder (500 ml)	197000-07
1 LF 3a, PP lid kit	197000-36
1 LF 5a, PP lid kit	200300-36
2 PES funnel, 300 ml	197000-34
2 PES funnel, 500 ml	197000-56
3 Storage bottle adaptor	197000-38