

Getting the Most from Your Vacuum Pump

With proper care and maintenance, you can maximize the return on your investment in vacuum technology. Use this Catalog to find everything you need for your vacuum pump.

- Operation
- Maintenance
- Repair
- Repair Services



5 Key Elements to Top Pump Performance and Long Life

1

Change oil frequently. Certified Welch® Oil protects your pump for efficient operation and long life.



8995G-11



1407K-11

Page 2

2

Protect your pump from damaging fumes and particulates. Use cold traps and in-line filters to limit contaminants that reduce vacuum efficiency and pump life.



1420H-14



1475K-21

Page 10-11

3

Changing exhaust filters periodically maximizes air flow, minimizes noise, and reduces airborne oil and particulates.



1417P-10



1412C

Page 12-13

4

Buying Certified Welch-Ilmvac Rebuild Kits provides original parts for repair - enables a return to your pump's original performance specifications.



402044-US

Page 37

5

Economically restore your pump to top condition through Welch-Ilmvac warrantied repair service. See how our pump maintenance pays off - better performance and fewer repairs using original equipment replacement components.



Page 14-17

Exhaust Silencer

Exhaust silencers are installed in the exhaust port of the pump to reduce pump noise.



1412C



1412D / 1412E

| WELCH Pump Model | CAT. No. |
|------------------------------|----------|
| 2562, 2565, 2567, 2580, 2585 | 1412C |
| 2561 | 1412D |
| 2581 | 1412E |



| ILMVAC Pump Model | CAT. No. |
|-------------------------------|----------|
| MP 301 E | 400941 |
| MP 301 Z, MP 301 V | 400956 |
| MP 601 E | 829901 |
| MP 601 T, MP 901 Z, MP 1201 E | 829901 |

These exhaust filters are for non-chemical applications only.

Inlet/Exhaust Separator Jars

230 ml glass jar assembly attaches to pump intake or exhaust to capture ingested liquids.



1423B



1415B



1415C

| Pump Model | CAT. No. |
|---|----------|
| 2012, all models of DryFAST | 1423B |
| Replacement Jars Glass, for pumps with 1423B assembly, models 2561, 2565, 2581, 2585 and Self-Cleaning Dry Vacuum Systems™. | 1415B |
| 1415D is a polypropylene version of the 1415B glass jar. | 1415D |
| Plastic vacuum jar, for pumps 2522, 2546, 2534 | 1415C |

Direct-Drive Vacuum Pump Oil Filter

Acid neutralization and oil filtration replacement element oil sump.



8917A-80

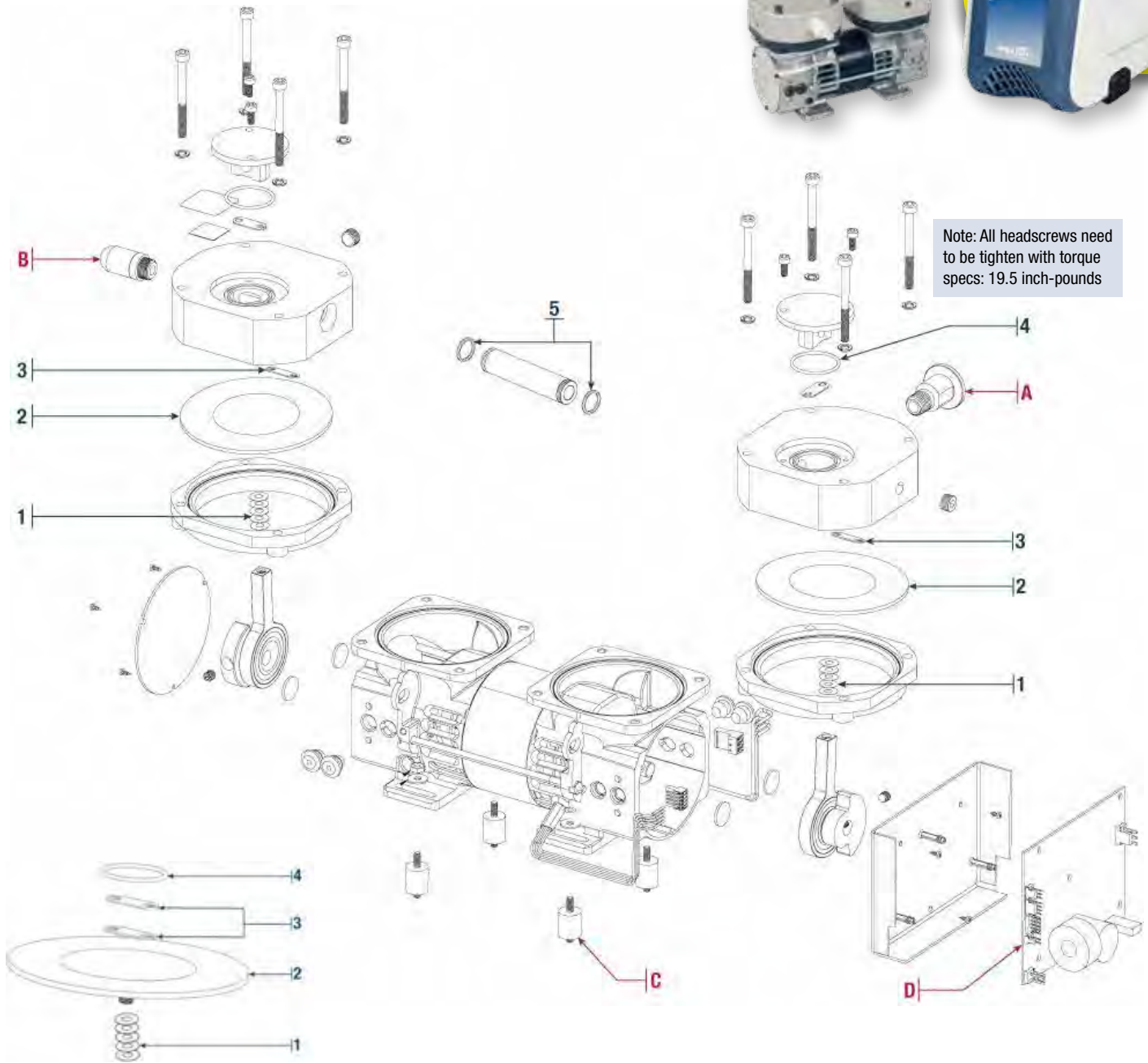
| Pump Model | CAT. No. |
|------------------------------|----------|
| 8917A-80, 8917C-80, 8917Z-01 | 1420E-03 |

Standard Duty Dry Vacuum Pumps

VARIFLOW Models 8111D-25/8113D-25



Note: All headscrews need to be tighten with torque specs: 19.5 inch-pounds



Two Head Service Kit CAT. No. 8111K-01 for Models 8111D-25/8113D-25

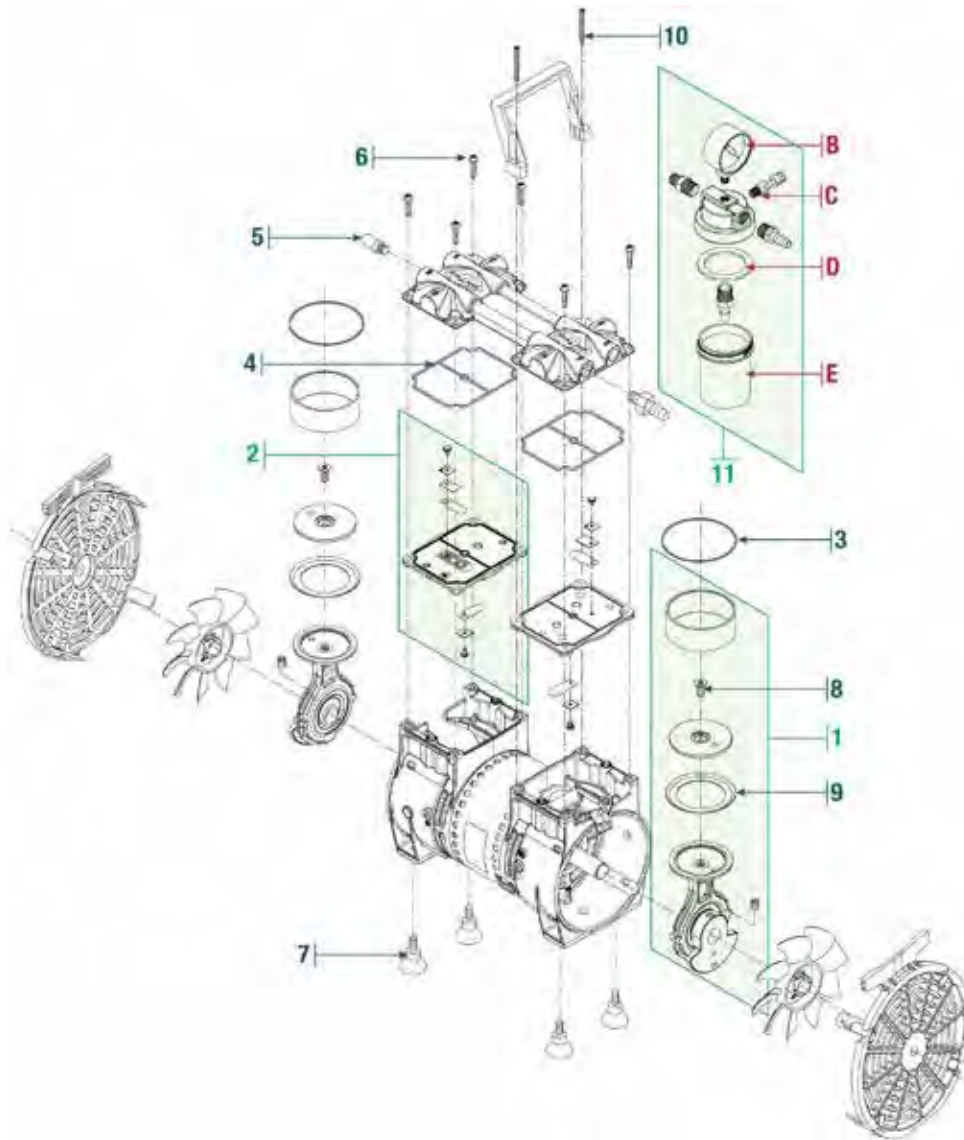
| ID | Qty. | Description |
|-----------------------------|------|-------------------|
| Service Kit 8111K-01 | | |
| 1 | 12 | Shims |
| 2 | 2 | Diaphragm, EPDM |
| 3 | 4 | Valves |
| 4 | 2 | O-Ring, cover |
| 5 | 2 | O-Ring, cont-tube |

Individual Spare Parts for Models 8111D-25/8113D-25

| ID | Qty. | CAT. No. | Description |
|----|------|----------|-------------------------------|
| A | 1 | 51-4354 | Intake Fitting NW16 x 1/4 NPT |
| B | 1 | 1412C | Exhaust Silencer |
| C | 1 | 66-0314 | Vibration Mount |
| D | 1 | 51-4329 | Controller Board |

Standard Duty Dry Vacuum Pumps

WOB-L® Models 2562/2567



Comprehensive Repair Kits for Models 2562/2567

| ID | Qty. | CAT. No. | Description | Service Kit CAT. No. 2567K-03 | Seal Service Kit CAT. No. 2567K-04 | Feet Service Kit CAT. No. 2500K-04 |
|----|------|----------|-------------------------|-------------------------------|------------------------------------|------------------------------------|
| 1 | 2 | 2567K-01 | Connecting Rod Assembly | 2 | ---- | ---- |
| 2 | 2 | 2567K-02 | Valve Plate Ass'y Kit | 2 | ---- | ---- |
| 3 | 2 | Note 1 | O-Ring Cylinder | 2 | 2 | ---- |
| 4 | 2 | Note 1 | Gasket Seal | 2 | 2 | ---- |
| 5 | 1 | 1412C | Exhaust Muffler | 1 | ---- | ---- |
| 6 | 6 | Note 1 | Head Screw | 6 | ---- | ---- |
| 7 | 4 | 2500K-04 | Rubber Suction Feet | ---- | ---- | 4 |
| 8 | 2 | Note 1 | Retainer Screw | 2 | ---- | ---- |
| 9 | 2 | Note 1 | Piston Cup | 2 | 2 | ---- |
| 10 | 2 | Note 1 | Handle Screw | 2 | 2 | ---- |

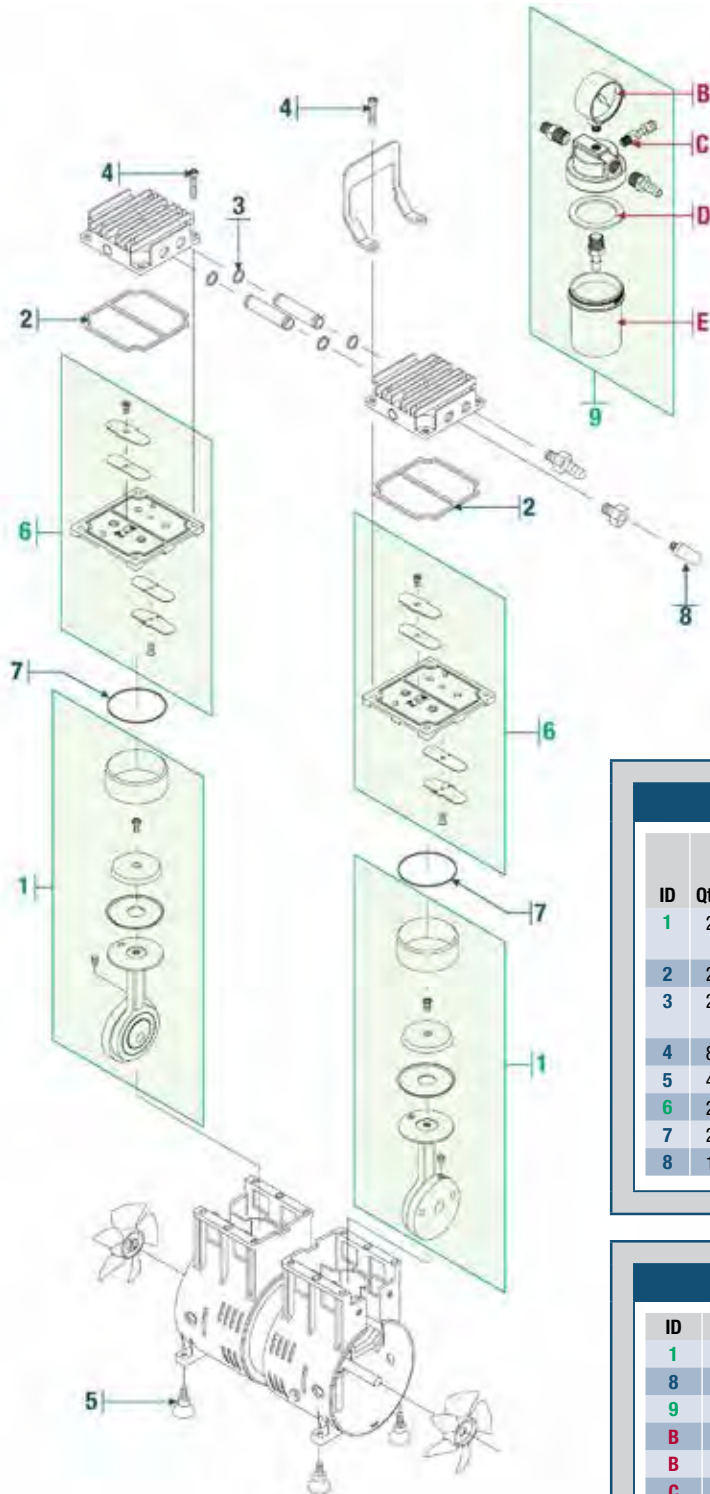
Individual Spare Parts for Models 2567B-50 /2567C-50

| ID | Qty. | Part Number | Description |
|----|------|-------------|---|
| 5 | 1 | 1412C | Exhaust Muffler |
| 11 | 1 | 2565K-50 | Vacuum Regulator Kit with Inlet Separator Jar |
| B | 1 | 726021 | Vacuum Gauge, in. Hg, cm Hg |
| B | 1 | 726024 | Vacuum Gauge - mbar/kPa |
| C | 1 | 61-5142 | Regulating Valve (without Knob #61-5148) |
| D | 1 | 61-9772 | Jar Gasket - PTFE Fluoroelastomer |
| E | 1 | 1415B | Glass Jar, Inlet Trap |
| E | 1 | 1415C | Plastic Jar, Inlet Trap |

Note 1. These parts are not available separately, but are supplied in the repair kits.

Standard Duty Dry Vacuum Pumps

WOB-L® Models 2580/2585



Comprehensive Repair Kits for Models 2580/2585

| ID | Qty. | CAT. No. | Description | Service Kit CAT. No. 2585K-03 | Gasket Kit CAT. No. 2585K-04 | Feet Service Kit CAT No. 2500K-04 |
|----|------|----------|--------------------------------|-------------------------------------|------------------------------------|---|
| 1 | 2 | 2585K-01 | Connecting Rod Assembly Kit | 2 | - | - |
| 2 | 2 | Note 1 | Gasket Seal | 2 | 2 | - |
| 3 | 2 | Note 1 | O-Ring, Connector Tube | 4 | 4 | - |
| 4 | 8 | Note 1 | Head Screw | 8 | - | - |
| 5 | 4 | Note 1 | Rubber Suction Feet | - | - | 4 |
| 6 | 2 | 2585K-02 | Valve Plate Ass'y Kit | 2 | - | - |
| 7 | 2 | Note 1 | O-Ring Cylinder | 2 | 2 | - |
| 8 | 1 | 1412C | Muffler | 1 | - | - |

Individual Spare Parts for Models 2580/2585

| ID | Qty. | Part Number | Description |
|----|------|-------------|---|
| 1 | 1 | 2585K-01 | Connecting Rod Assembly Kit |
| 8 | 1 | 1412C | Muffler |
| 9 | 1 | 2585K-50 | Vacuum Regulator Kit with Inlet Separator Jar |
| B | 1 | 726021 | Vacuum Gauge, in. Hg, cm Hg |
| B | 1 | 726024 | Vacuum Gauge - mbar/kPa |
| C | 1 | 61-5142 | Regulating Valve (without Knob #61-5148) |
| D | 1 | 61-9772 | Jar Gasket - PTFE Fluoroelastomer |
| E | 1 | 1415B | Glass Jar, Inlet Trap |
| E | 1 | 1415C | Plastic Jar, Inlet Trap |

Note 1. These parts are not available separately, but are supplied in the repair kits.

Peristaltic - Fluid Transfer Pumps

Models 3100/3200

Replacement Cartridges for Models 3100/3200

| Material | Silicone | PVC |
|--------------------------------|-------------------------------------|-------------------------------------|
| Applications | Biofluids / Food | General Lab, Viscous Fluids |
| Tubing I.D. (Flow Rate Range) | Tubing Cartridges (5 each) CAT. No. | Tubing Cartridges (5 each) CAT. No. |
| 1.6mm (3-30 ml/min) - 5 pack | 3432K-01 | 3434K-01 |
| 3.2mm (10-130 ml/min) - 5 pack | 3432K-02 | 3434K-02 |
| 4.8mm (30-300 ml/min) - 5 pack | 3432K-04 | 3434K-04 |



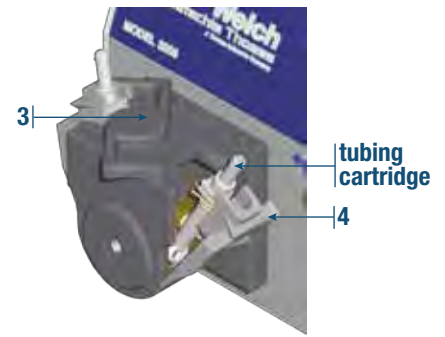
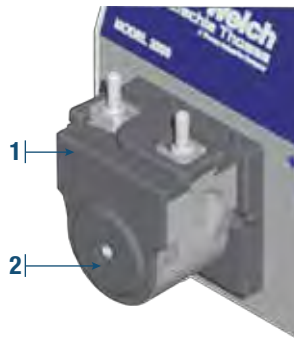
3100



3200

Service Kit CAT. No. 3200K-02 for Models 3100/3200

| ID | Qty. | Description |
|----|------|----------------|
| 1 | 1 | Pump Head |
| 2 | 1 | Roller Carrier |
| 3 | 1 | Lock |
| 4 | 1 | Rolling Band |



Index

| Catalog No. | Page No. |
|-------------|----------------|
| 1201E | 46 |
| 1201T | 46 |
| 1371A-01 | 19,20,24,25,26 |
| 1371A-01 | 26 |
| 1373K-05 | 36 |
| 1373K-06 | 36 |
| 1374 | 18 |
| 1374A | 18 |
| 1374K-07 | 18 |
| 1374K-08 | 18 |
| 1376 | 19 |
| 1376B-46 | 36 |
| 1376K-05 | 19 |
| 1376K-06 | 19 |
| 1376K-09 | 26 |
| 1376K-10 | 26 |
| 1376K-46 | 36 |
| 1376K-47 | 36 |
| 1376N | 26 |
| 1380 | 20 |
| 1380K-03 | 20 |
| 1380K-04 | 20 |
| 1393F | 7,27 |
| 1393G | 7,26,28 |
| 1393G | 28 |
| 1393H | 7 |
| 1393J | 22,23 |
| 1393K | 19,20,24,25 |
| 1393L | 18,21 |
| 1393N | 8 |
| 1393P | 8 |
| 1393X | 7,29 |
| 1397 | 21 |
| 1397A | 21 |

| Catalog No. | Page No. |
|-------------|-------------------|
| 1397B-46 | 36 |
| 1397K-07 | 21 |
| 1397K-08 | 21 |
| 1397K-46 | 36 |
| 1397K-47 | 36 |
| 1399 | 22 |
| 1399A | 22 |
| 1399K-03 | 22 |
| 1399K-04 | 22 |
| 1400 | 23 |
| 1400A | 23,27 |
| 1400K-03 | 23 |
| 1400K-04 | 23 |
| 1400K-09 | 27 |
| 1400K-10 | 27 |
| 1400N | 27 |
| 1401D | 19,20,24,25,26,28 |
| 1401D-01 | 19,20,24,25,26 |
| 1401E | 22,23,27 |
| 1401E-01 | 22,23,27 |
| 1401F | 18,21 |
| 1402 | 24 |
| 1402B-46 | 36 |
| 1402K-02 | 25 |
| 1402K-05 | 24,25 |
| 1402K-06 | 24 |
| 1402K-09 | 28 |
| 1402K-10 | 28 |
| 1402K-46 | 36 |
| 1402K-47 | 36 |
| 1402N | 28 |
| 1405 | 25 |
| 1405A | 19,20,24,25,26,28 |
| 1407K-11 | 3 |

| Catalog No. | Page No. |
|-------------|-------------------|
| 1407K-15 | 3 |
| 1407K-20 | 3 |
| 1412C | 13,51,52 |
| 1412D | 13 |
| 1412E | 13 |
| 1415B | 13,42,51,52,53,54 |
| 1415C | 13,51,52,53,54 |
| 1415D | 13 |
| 1416B | 12 |
| 1416C | 12 |
| 1416C-01 | 12 |
| 1416D | 12 |
| 1416E-01 | 10,12 |
| 1416E-02 | 10,12 |
| 1416H | 12 |
| 1416H-01 | 12 |
| 1417 | 12,29 |
| 1417G | 12 |
| 1417H-01 | 12 |
| 1417L | 12,29 |
| 1417P-10 | 12 |
| 1417P-20 | 12 |
| 1417P-7 | 12 |
| 1417R | 12 |
| 1417Y-05 | 12 |
| 1420H-01 | 11 |
| 1420H-02 | 11 |
| 1420H-14 | 10 |
| 1420H-17 | 11 |
| 1420H-18 | 11 |
| 1420H-19 | 11 |
| 1420H-20 | 10 |
| 1420H-21 | 10 |
| 1421 | 5 |

| Catalog No. | Page No. |
|-------------|----------|
| 1421D | 5 |
| 1423B | 13,42 |
| 1426 | 45 |
| 1426K-01 | 45 |
| 1430A | 11 |
| 1430B | 11 |
| 1430C | 11 |
| 1475K-01 | 55 |
| 1475K-02 | 55 |
| 1475K-03 | 55 |
| 1475K-04 | 55 |
| 1475K-05 | 55 |
| 1475K-06 | 55 |
| 1475K-07 | 55 |
| 1475K-08 | 55 |
| 1475K-09 | 55 |
| 1475K-10 | 55 |
| 1475K-20 | 55 |
| 1475K-21 | 11,55 |
| 1475K-22 | 11 |
| 1475K-23 | 11 |
| 1515 | 4 |
| 1515A | 4 |
| 1515B | 4 |
| 1520B-01 | 4 |
| 1520B-02 | 4 |
| 1520K-10 | 4 |
| 1520K-11 | 4 |
| 1525B-01 | 4 |
| 1525C-02 | 4 |
| 1525K-10 | 4 |
| 1525K-11 | 4 |
| 1801Z | 46 |
| 2014 | 38 |