

Rotary Evaporator

Rotary evaporators (also known as “Rotovaps”) are mainly used for distillations/separation applications often used for medicinal chemistry, pharmaceutical, chromatography, and petrochemical fields. In summary the system works by increasing the rate of evaporation of the solvent by:

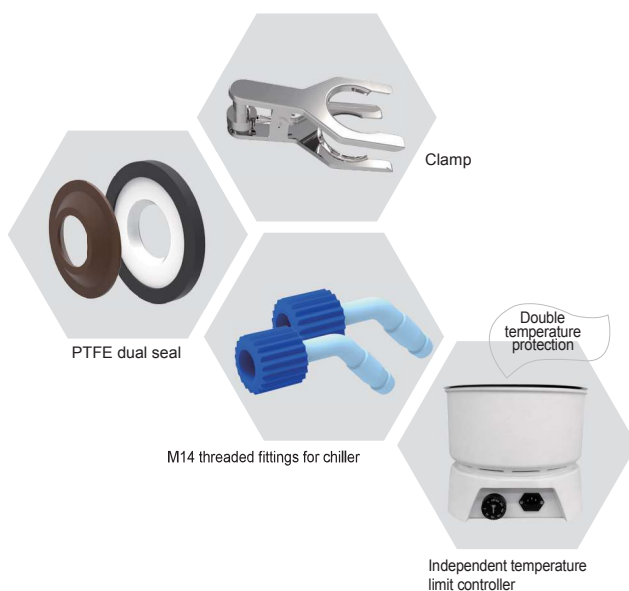
- (1) reducing the pressure to lower the solvent boiling point.
- (2) rotating the sample to increase the effective surface area.
- (3) heating the solution.
- (4) then the evaporated solvent then condenses in a cooled glass condenser.

BEING Rotary Evaporator features

- Simple design for one handed operation manually or automatically.
- A unique PTFE sealing system provides exceptional thermostability, minimizes corrosion, and helps to ensure day in day out headache free operation.
- Our Bath offers a dual heating mode for water and oil with overheat protection.
- PID controller offers easy input of parameters and large LCD display for easy viewing.
- Vacuum regulator available.



**BRE Series
20M/20A**



PTFE dual seal

Clamp

M14 threaded fittings for chiller

Double temperature protection

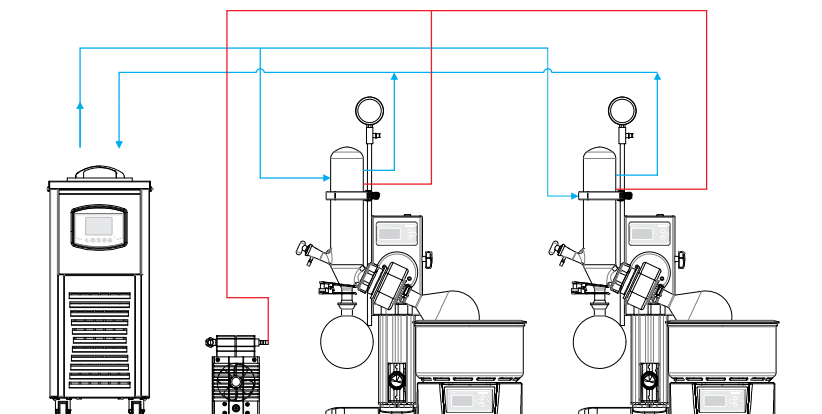
Independent temperature limit controller



(Chiller refer to Page.18)

Rotary Evaporator

Two Rotary Evaporators can be run on a cycle with a High efficiency rating.



Standard :DIN-12880

Independent temperature safety equipment, 2 class (DIN12880) .

Cooling —

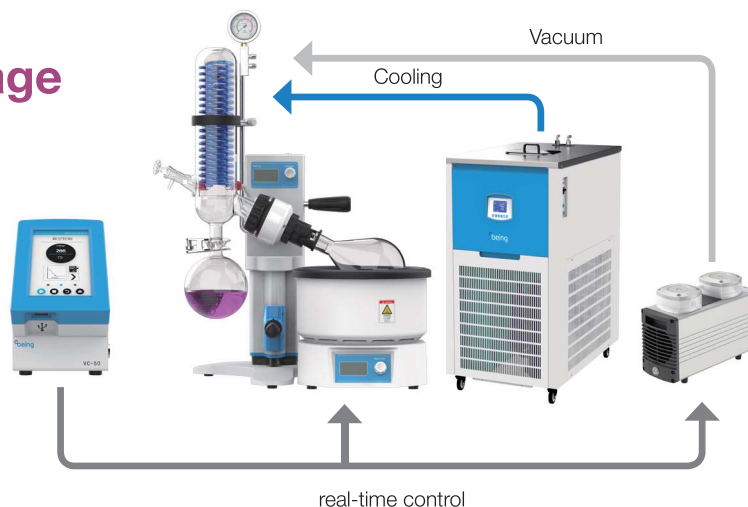
Reduce pressure —

Working condition

- 20°C AC220V 50HZ: Ambient temp
- 20°C AC220V 50HZ
- 1L Rotary bottle
- Water Bath temp: Set at 40°C
- Coolant (alcohol/water): set the temperature at 10°C
- Rotation speed: 120rpm

2L Rotary Evaporator Package

Rotary Evaporator	Recirculating Chiller	Diaphragm Vacuum Pump Anticorrosion	Vacuum Controller
RV-21M	BR-03	V-20	VC-50
RV-21A	BR-05	V-40	
RV-31A	(for 2 units)	(for 2 units)	



Specification

Model	RV-21M	RV-21A	RV-31A
Rotation speed	20 – 300rpm		
Water bath temperature range	Water: RT+5 – 99°C , Oil: RT+5 – 180°C (Option)		
Evaporating speed	22ml/min		
Ultimate vacuum	8mbar		
Speed setting	LCD display with knob		
Lifting mode	Manual	automatic	
Motor function	N / A	DC brushless motor	
Main motor DC brushless	DC brushless motor		
Condenser	Condensate Area 0.15m ² , 1L Rotary Bottle, 1L Collecting Bottle, TS29 / 38 Bottle Clamp		
Rotary flask	1L	1L	3L
Vacuum seal	PTFE		
Interior wather bath size	φ 230mm x130mm		
Water bath material	SS304 with PTFE coated		
Heating power	1000W		
Temperature range	5 – 35°C		
Electrical input	220V 50/60Hz		